

# Sureline Custom Made RV Mattresses



2020

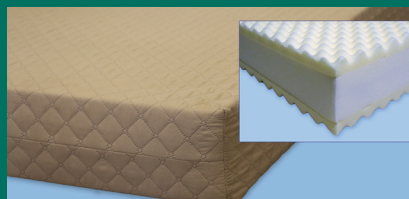


*Upgrade your Stock RV Mattresses with Premium Sureline RV Mattresses!  
Call about RV cushion Replacement*



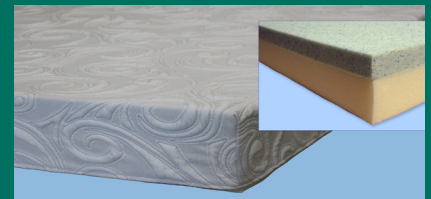
### Solid Foam Mattress

Solid foam mattress designed to replace your uncomfortable or tired RV mattress or Cushions. Comes with or without a new heavier quilt-like, removable, washable zippered cover. Available with Plush, Medium, or Firm core foam. Color choices: Pewter & Latte.



### Egg-Crate Mattress

Egg-Crate mattress is made of high quality foam and has Egg-Crate layers for pressure relief and cooling on top and bottom. Comes with a new heavier quilt-like, removable, washable zippered cover. Available with Plush, Medium, or Firm core foam. Color choices: Pewter & Latte.



### Serene Mattress

New Serene foam™ self-adjusts to individual body contours with billions of microscopic air capsules, but unlike memory foam, it is not temperature sensitive. Comes with removable, washable 4-way stretch knit cover. Available with Plush, Medium, or Firm Base Layer.

Standard	4"	6"	8"		4"	6"	8"	10"		6"	8"	10"	Standard
<b>Bunk</b>	\$185	\$267	\$349		\$199	\$279	\$359	\$439		\$319	\$409	\$489	<b>Bunk</b>
<b>Double</b>	\$256	\$370	\$485		\$269	\$389	\$509	\$619		\$449	\$569	\$689	<b>Double</b>
<b>Queen</b>	\$303	\$441	\$579		\$319	\$459	\$599	\$739		\$529	\$669	\$809	<b>Queen</b>
<b>King</b>	\$385	\$560	\$735		\$409	\$589	\$759	\$939		\$679	\$849	\$1,029	<b>King</b>

**Bunk: 30" x 72"**

**Double: 54" x 75"**

**Queen: 60" x 75" or 60" x 80"**

**King: 76" x 80"**

**Custom Fabricated To Any Size or Thickness**

See back of page for details. Shipping charges extra. Shipped from Calgary, Alberta.



# Order Form 2020



Ordering your custom RV mattress is as EASY as 1, 2, 3!

- 1) Go to [www.sureline.ca/rvmattress.pdf](http://www.sureline.ca/rvmattress.pdf) to download the order form.
- 2) Choose your mattress size and type.
- 3) Custom Mattress: Select style and fill in measurements.

120, 225 23 Street NE

Calgary, AB T2E 5S8

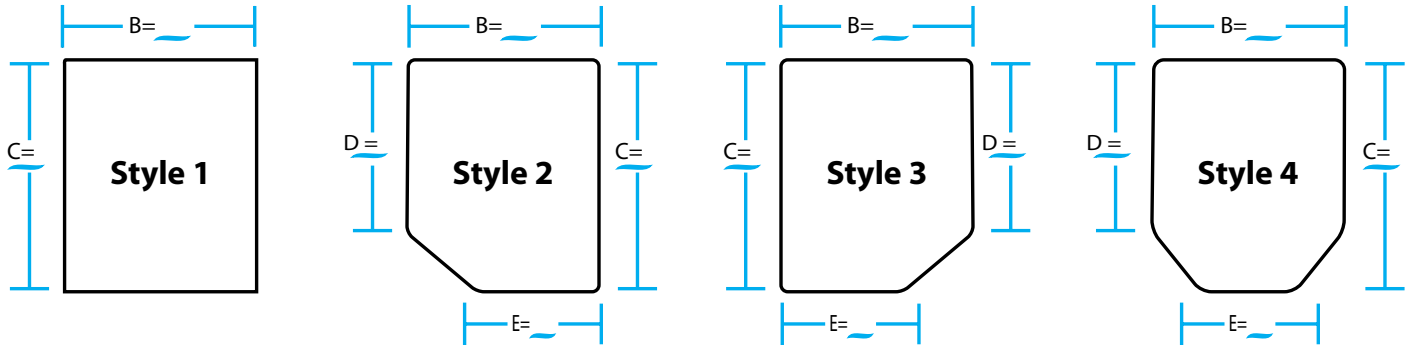
Call: 403-274-7721

Fax: 403-274-7883

Email: [rvmattress@sureline.ca](mailto:rvmattress@sureline.ca)

Standard Size	Custom Style	Dimensions	Mattress Type	Firmness	Thickness
<input type="checkbox"/> Bunk - 30" x 72"	<input type="checkbox"/> 1	B= _____	<input type="checkbox"/> Solid Foam*	<input type="checkbox"/> Plush	<input type="checkbox"/> 4"
<input type="checkbox"/> Double - 54" x 75"	<input type="checkbox"/> 2	C= _____	<input type="checkbox"/> Egg-Crate	<input type="checkbox"/> Medium	<input type="checkbox"/> 6"
<input type="checkbox"/> Queen - 60" x 80"	<input type="checkbox"/> 3	D= _____	<input type="checkbox"/> Serene	<input type="checkbox"/> Firm	<input type="checkbox"/> 8"
<input type="checkbox"/> King - 72" x 80"	<input type="checkbox"/> 4	E= _____	* Solid Foam available in medium firmness only		<input type="checkbox"/> 10"

## CUSTOM STYLES



### Customer Info:

Name: \_\_\_\_\_

Address: \_\_\_\_\_

City: \_\_\_\_\_

Province: \_\_\_\_\_ Postal Code: \_\_\_\_\_

Phone: \_\_\_\_\_

Email: \_\_\_\_\_

### RV Dealer Info: (from Catalogue Cover or Website)

Dealer Name: \_\_\_\_\_

\_\_\_\_\_

### Shipping Note:

Please contact your local RV dealership to avoid additional residential freight charges and arrange pick-up at dealership.

Ship to Dealer

